

DATA SHEET

FOAMER



**Without
Bottle**
32017

**With
1 Liter Bottle**
39234

**With
2 Liter Bottle**
39196



FEATURES

- Durable stainless steel orifice and FPM o-rings for chemical compatibility.
- Optional bottle sizes for specialized needs.
- Convenient chemical injector adjustment knob or handle for adjusting chemical draw.
- Lightweight and compact style with comfortable grip.

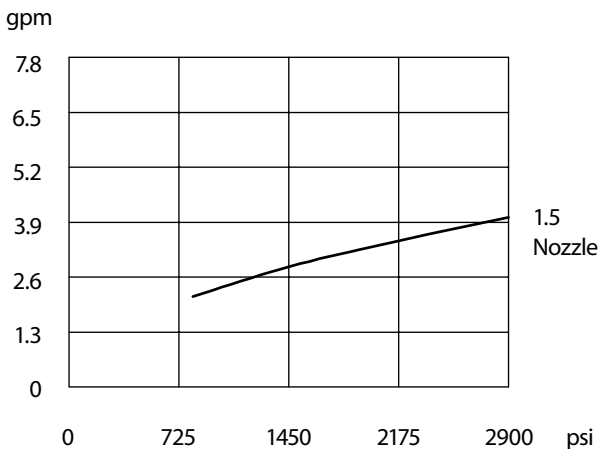
COMMON SPECIFICATIONS

	U.S.	Metric
Flow Range	2 to 4 gpm	7.6 to 15.2 lpm
Pressure Range	750 to 2900 psi	52 to 200 bar
Maximum Temperature	140° F	60° C
Inlet Port	1/4" BSP(F)	1/4" BSP(F)
Weight (32017)	13 oz	0.37 kg
Weight (39234)	17.5 oz	0.50 kg
Weight (39196)	19.1 oz	0.54 kg
Dimensions (32017)	11.99 x 2.75"	304.5 x 70 mm
Dimensions (39234)	12.54 x 10.6"	318.5 x 269 mm
Dimensions (39196)	13.16 x 11.2"	334.3 x 309 mm

Foamer is stamped with a European safety pressure. Use only at above specifications to assure proper foamer life and performance.

SELECTION

Select a foamer to match your system flow and pressure requirements and function being performed.



INSTALLATION

Install foamer onto any 1/4" fitted gun. Use PTFE thread tape or pipe thread sealant to assure an airtight fit. Attach tube to bottom of adjustable barb under the bottle cover.

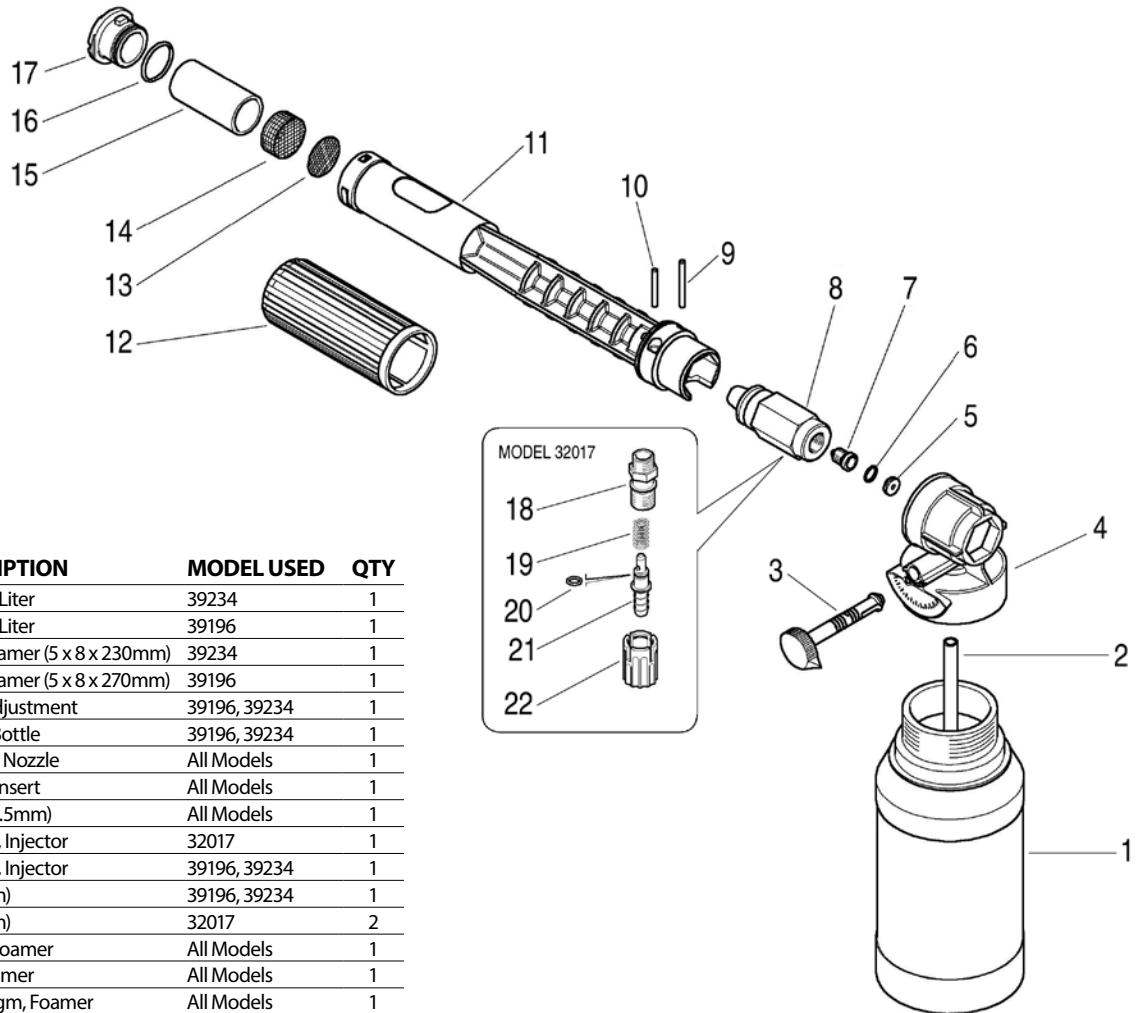
OPERATION

Fill bottle with chemical and replace lance assembly. Squeeze the trigger on the gun to allow flow through the foamer. Foamer will draw air from the foamer nozzle as long as there is a minimum of 870 psi in the discharge line of the pump. To vary the amount of chemical draw, use the adjustment knob on Models 39196 and 39234. For Model 32017, use the adjustment handle.

MAINTENANCE

Periodically inspect the injector housing diaphragm and foamer pill and clean as needed to avoid restricted flow through the foamer nozzle. Inspect o-rings for cuts or deterioration and replace as needed. Examine orifice for wear and replace as needed.

EXPLODED VIEW



PARTS LIST

ITEM	P/N	MATL	DESCRIPTION	MODEL USED	QTY
1	—	POP	Bottle, 1 Liter	39234	1
	39391	POP	Bottle, 2 Liter	39196	1
2	—	PVC	Tube, Foamer (5 x 8 x 230mm)	39234	1
	39392	PVC	Tube, Foamer (5 x 8 x 270mm)	39196	1
3	31549	—	Knob, Adjustment	39196, 39234	1
4	—	—	Holder, Bottle	39196, 39234	1
5	33217	BB	Retainer, Nozzle	All Models	1
6	33216	NBR	O-Ring, Insert	All Models	1
7	32071	SSS	Orifice (1.5mm)	All Models	1
8	—	BB	Housing, Injector	32017	1
	—	BB	Housing, Injector	39196, 39234	1
9	—	BB	Pin (5mm)	39196, 39234	1
10	39291	BB	Pin (5mm)	32017	2
11	—	—	Lancer, Foamer	All Models	1
12	39286	NY	Grip, Foamer	All Models	1
13	39288	S	Diaphragm, Foamer	All Models	1
14	39289	S	Pill, Foamer	All Models	1
15	39290	NY	Spacer, Foamer	All Models	1
16	33568	FPM	O-Ring, Foamer Nozzle	All Models	1
17	—	NY	Nozzle, Foamer	All Models	1
18	33946	BB	Retainer, Injector	32017	1
19	33500	S	Spring	32017	1
20	33955	FPM	O-Ring, Barb	32017	1
21	32941	BB	Barb, Adjustment	32017	1
22	33949	NY R	Handle, Adjustment	32017	1

Italics are optional items. R Components comply with RoHS Directive.
 Material Codes (Not Part of Part No.): BB=Brass FPM=Fluorocarbon
 NBR=Medium Nitrile (Buna-N) NY=Nylon POP=Polypropylene
 PVC=Polyvinyl Chloride S=304SS SSS=416SS

TROUBLESHOOTING

No chemical draw	<ul style="list-style-type: none"> • Replace adjustable barb. • Change nozzle • Clean diaphragm and foamer pill.
Leaking around adjustment handle	<ul style="list-style-type: none"> • O-ring worn. • Foreign material in foamer.
Leaking at gun connection	<ul style="list-style-type: none"> • Check injector housing for proper sealant and reconnect gun.

⚠ CAUTIONS AND WARNINGS

All High Pressure Systems require a primary pressure regulating device (i.e. regulator, unloader) and a secondary pressure relief device (i.e. pop-off valve, relief valve). Failure to install such relief devices could result in personal injury or damage to pump or property. Cat Pumps does not assume any liability or responsibility for the operation of a customer's high pressure system.

Read all CAUTIONS and WARNINGS before commencing service or operation of any high pressure system. The CAUTIONS and WARNINGS are included in each service manual and with each Accessory Data sheet. CAUTIONS and WARNINGS can also be viewed online at www.catpumps.com/cautions-warnings or can be requested directly from Cat Pumps.

WARRANTY

View the Limited Warranty on-line at www.catpumps.com/warranty.



CAT PUMPS

1681 - 94TH LANE N.E. MINNEAPOLIS, MN 55449-4324
 PHONE (763) 780-5440 — FAX (763) 780-2958
 e-mail: techsupport@catpumps.com
www.catpumps.com