



Quick Start Valve

Model

7126

FEATURES

- Relieves pump discharge line pressure during start-up phase.
- Requires less gas engine or electric motor start-up power.
- Optional by-pass routing either to the inlet of the pump or to drain.

SELECTION: The Quick Start Valve is designed to minimize the system start-up pressure and should be used with a pressure lock-up style unloader.

INSTALLATION: The Quick Start Valve should be installed **after a pressure lock-up style unloader**. It may be installed **either before or after a regulator**. It is not required in systems using a flow sensitive unloader as start-up will already occur at low pressure.

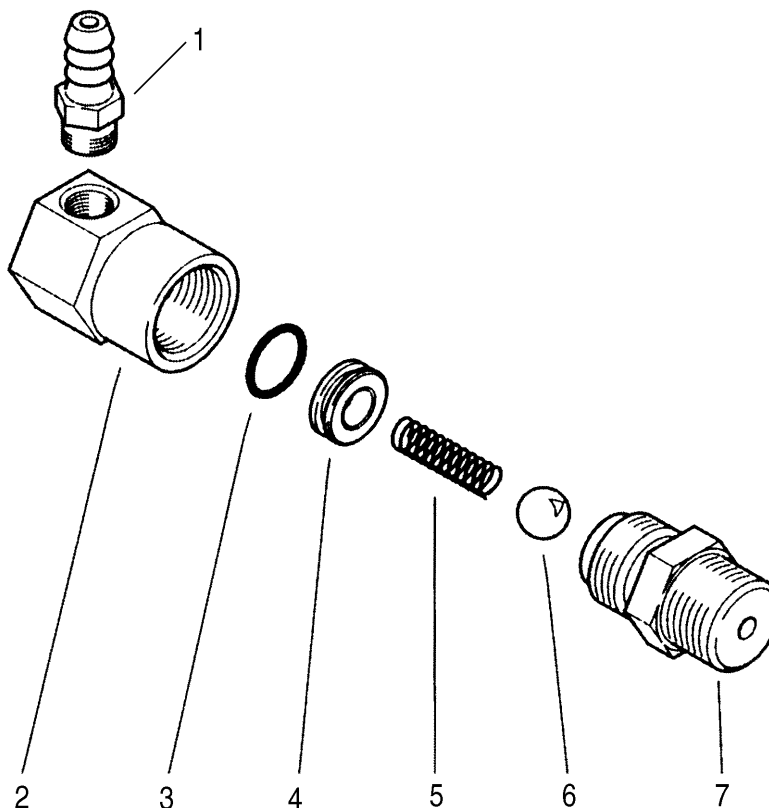
SPECIFICATIONS

| | U.S. Measure | Metric Measure |
|--------------------------|------------------|-------------------|
| Maximum Flow | 8 GPM | (30 L/M) |
| Maximum Pressure..... | 4050 PSI | (280 Bar) |
| Opening Pressure..... | 105 PSI | (7.25 Bar) |
| Maximum Temperature..... | 176°F | (80°C) |
| Inlet Port..... | 3/8" NPTM | (3/8" NPTM) |
| Barb Size..... | 1/4" | 1/4" |
| Weight | 5.0 oz | (0.15 kg) |
| Dimensions | 2.1 x .87 x 2.1" | (53 x 22 x 53 mm) |

OPERATION: Before start-up connect a small hose to the barb and route back to the inlet or drain to the floor. Upon start-up the Quick Start Valve registers the line pressure. The ball is forced off the seat and allows a small amount of fluid to be bled off permitting the unit to start up without a load.

"Customer confidence is our greatest asset"

EXPLODED VIEW



PARTS LIST

| ITEM | P/N | MATL | DESCRIPTION | QTY |
|------|-------|------|--|-----|
| 1 | 33922 | BB | Barb, Hose (1/8"NPTM x 1/4" Hose Barb) | 1 |
| 2 | — | BB | Body | 1 |
| 3 | — | NBR | O-Ring, Seat | 1 |
| 4 | — | NBR | Seat w/O-Ring | 1 |
| 5 | 33925 | S | Spring, Ball | 1 |
| 6 | 32289 | SSSS | Ball, Seat (11/32") | 1 |
| 7 | 31930 | BB | Fitting, Inlet (3/8" NPTM) | 1 |

Material Codes (Not Part of Part Number):

BB=Brass NBR=Medium Nitrile (Buna-N) S=304SS SSSS=440SS

TROUBLESHOOTING

| | |
|--|--|
| Continual weeping | <ul style="list-style-type: none"> • Seat worn • Foreign particles trapped between ball and seat |
| Water leaking between inlet fitting and body | <ul style="list-style-type: none"> • Reapply PTFE thread tape or pipe thread sealant |

WARRANTY

90 Day Warranty

Refer to complete CAT PUMPS Warranty for further information.

World Headquarters

CAT PUMPS

1681 - 94th Lane N.E. Minneapolis, MN 55449-4324

Phone (763) 780-5440 — FAX (763) 780-2958

e-mail: techsupport@catpumps.com

www.catpumps.com

International Inquiries

FAX (763) 785-4329

e-mail: intlsales@catpumps.com



The Pumps with Nine Lives

CAT PUMPS (U.K.) LTD.

1 Fleet Business Park, Sandy Lane, Church Crookham

FLEET, Hampshire, GU52 8BF, England

Phone Fleet 44 1252-622031 — Fax 44 1252-626655

e-mail: sales@catpumps.co.uk

N.V. CAT PUMPS INTERNATIONAL S.A.

Heiveldkens 6A, B-2550 Kontich, Belgium

Phone 32-3-450.71.50 — Fax 32-3-450.71.51

e-mail: cpi@catpumps.be www.catpumps.be

CAT PUMPS DEUTSCHLAND GmbH

Buchwiese 2, D-65510 Idstein, Germany

Phone 49 6126-9303 0 — Fax 49 6126-9303 33

e-mail: catpumps@t-online.de www.catpumps.de