

# DIRECT DRIVE PREP PUMPS



## 5CP6120

7.4 GPM – 1,200 PSI

## 5CP6180CSS

8.2 GPM – 1,500 PSI

## 5CP6190

10 GPM – 1,200 PSI



## Designed for Direct Drive Prep Units

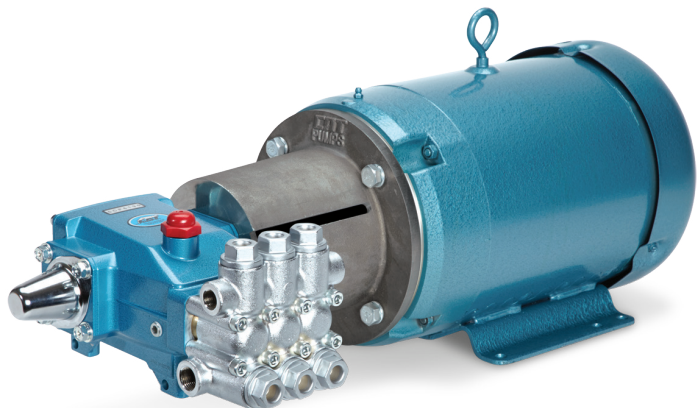
Durable direct drive prep pump recognized for its extremely long service life. Bell housings and flex couplers are available as individual components or assembled as a complete pump/motor assembly. Take advantage of the convenience of direct drive with off-the-shelf delivery from Cat Pumps.

### Direct Drive Features

- Ease of assembly reduces time and labor costs.
- Compact direct mounting reduces space requirement.
- Eliminates belt selection, sizing and adjustment.
- Bell housing are cast from lightweight, high-strength aluminum alloy.

### Selection chart for mounting components

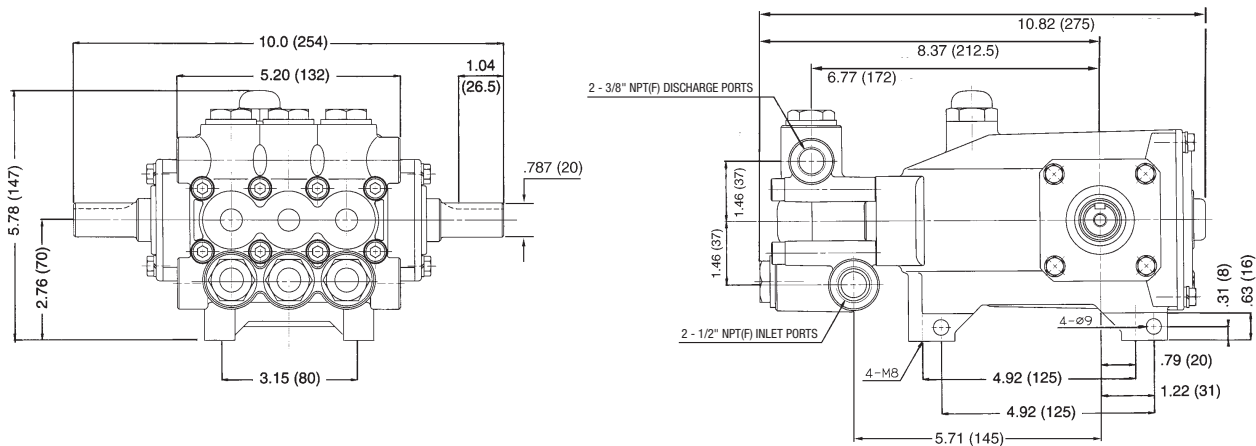
Motor Size	Bell Housing	Flex Coupler
182/184TC	76184.5CP	8230
213/215TC	76215.5CP	8275



## Specifications

	5CP6120	5CP6180CSS	5CP6190
<b>Flow</b>	7.4 gpm	8.2 gpm	10 gpm
<b>Pressure</b>	1200 psi	1500 psi	1200 psi
<b>RPM</b>	1725 rpm	1750 rpm	1750 rpm
<b>Inlet Pressure Range</b>	Flooded – 60 psi	Flooded – 60 psi	Flooded – 60 psi
<b>Max Liquid Temperature</b>	160°F	160°F	160°F
<b>Inlet Ports (2)</b>	1/2" NPT(F)	1/2" NPT(F)	1/2" NPT(F)
<b>Discharge Ports (2)</b>	3/8" NPT(F)	3/8" NPT(F)	3/8" NPT(F)
<b>Weight</b>	19.9 lbs	19.9 lbs	19.9 lbs
<b>Dimensions</b>	10.82 x 10.0 x 5.78"	10.82 x 10.0 x 5.78"	10.82 x 10.0 x 5.78"

## Dimensions



## Popular Accessories



**Unloader**  
PN 7693  
2.5 – 10.5 GPM  
230 – 2,300 PSI



**Pulsation Dampener**  
PN 6029  
1 – 15 GPM  
3,000 PSI



**Pressure Gauge**  
PN 6088  
0 – 3,000 PSI



**Inlet Strainer**  
PN 7104.4  
1/2" NPT(F)  
10 GPM Max



**Oil**  
PN 6107  
21 oz. Bottle  
Specially Formulated for  
Extended Protection

Contact Cat Pumps for pricing or more information at [info@catpumps.com](mailto:info@catpumps.com) or 763-780-5440



**CAT PUMPS**  
1681 - 94TH LANE N.E. MINNEAPOLIS, MN 55449-4324  
PHONE (763) 780-5440 — FAX (763) 780-2958  
e-mail: [techsupport@catpumps.com](mailto:techsupport@catpumps.com)  
[www.catpumps.com](http://www.catpumps.com)