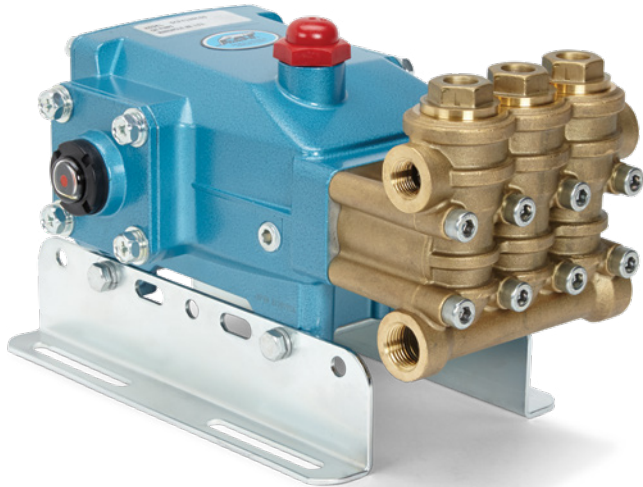


# MODEL 5CP SERIES PLUNGER PUMPS



2.2 to 4.5 GPM – 4,000 PSI

## Designed for the most demanding high-pressure applications

When quality counts, Cat Pumps is the #1 choice for pressure washing applications. Don't fall into the price trap by choosing a less expensive pump upfront that will end up costing more in the long run. Get more work done without the hassles and downtime – choose Cat Pumps.

### 4000 PSI - 1750 RPM

Model	Flow
5CP4110CSS	2.2 GPM
5CP4112CSS	2.7 GPM
5CP4114CSS	3.2 GPM
5CP4116CSS	3.8 GPM
5CP4118CSS	4.2 GPM
5CP4120CSS	4.5 GPM

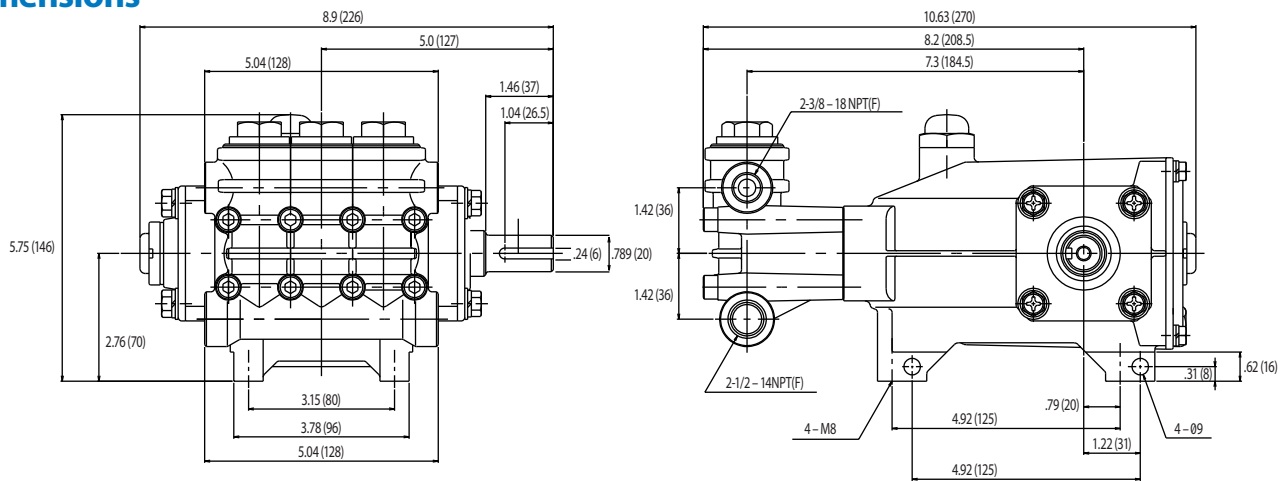
### Features

- High and low pressure seals are completely lubricated and cooled, greatly increasing pump life
- Side and rear oil gauge for easy maintenance
- Flexible Drive options
  - Electric Motor
    - Belt with standard pulley or clutch
    - Direct Drive with Bell housing and flex coupler
  - Gas or Diesel Engine
    - Belt with standard pulley or clutch
    - Gearbox for 1" or 1-1/8" engine shafts

## Specifications

	US Measure	Metric Measure
<b>Flow</b>	2.2 to 4.5 gpm	8.3 to 17.0 lpm
<b>Pressure Range</b>	100 to 4000 psi	6.9 to 275 bar
<b>RPM</b>	1750	1750
<b>Inlet Pressure Range</b>	-2.5 to 60 psi	-2 to 4.1 bar
<b>Max Liquid Temperature</b>	160°F	71°C
<b>Inlet Ports (2)</b>	1/2" NPT(F)	1/2" NPT(F)
<b>Discharge Ports (2)</b>	3/8" NPT(F)	3/8" NPT(F)
<b>Weight</b>	19.9 lbs	9.0 kg
<b>Dimensions</b>	10.63 x 8.90 x 5.75"	270 x 226 x 146 mm

## Dimensions



## Popular Accessories



**Unloader**  
PN 7694  
2.5 – 10.5 GPM  
400 – 4050 PSI



**Pop-Off Valve**  
PN 33962  
0 – 6 GPM  
1000 – 4000 PSI



**Pressure Gauge**  
PN 6089  
0 – 6,000 PSI



**Inlet Strainer**  
PN 7104.4  
1/2" NPT(F)  
10 GPM Max



**Oil**  
PN 6107  
21 oz. Bottle  
Specially Formulated for  
Extended Protection

Contact Cat Pumps for pricing or more information at [info@catpumps.com](mailto:info@catpumps.com) or 763-780-5440



**CAT PUMPS**  
1681 - 94TH LANE N.E. MINNEAPOLIS, MN 55449-4324  
PHONE (763) 780-5440 — FAX (763) 780-2958  
e-mail: [info@catpumps.com](mailto:info@catpumps.com)  
[www.catpumps.com](http://www.catpumps.com)