

MODEL 4SP29ELR PLUNGER PUMP

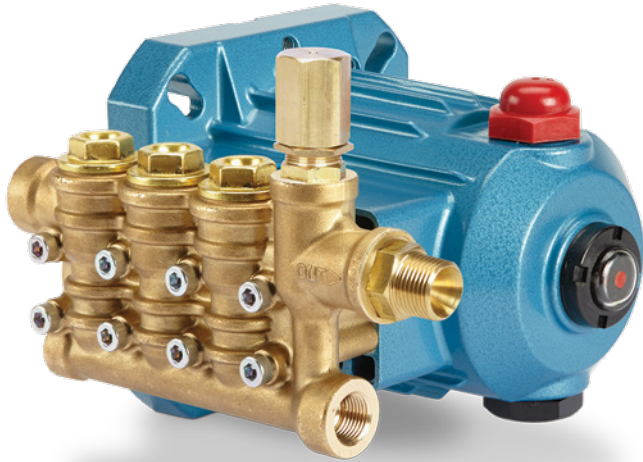


Photo provided by Modern Misting Systems Inc.

2.85 GPM – 1,200 PSI

Compact Direct Drive Pump with Integral Pressure Regulator

When it comes to getting the job done, customers rely on durable long-lasting products from Cat Pumps and the 4SP is no exception. Designed for continuous duty applications, the 4SP series pumps are built to the same high standards as all Cat Pumps products.

Cat Pumps engineers have optimized every detail to produce a pump with incredible service life. Concentric high-density polished solid plungers provide a true wear surface resulting in extended seal life. The integral pressure regulator and standard 56C NEMA mounting makes the pump easy to integrate into high pressure systems. The 4SP29ELR is what you expect from Cat Pumps — high quality, dependable products backed by the industry's best customer service and support.

Features

- Specially formulated high-pressure seals and concentric, polished ceramic plungers provide maximum seal life, keeping equipment running longer with less downtime
- Stacked valve design makes service even easier
- Direct drive hollow shaft mounts to standard 56C frame electric motors for convenient and worldwide use
- Integral pressure regulator with built-in by-pass for compact size and easy plumbing

Typical Applications

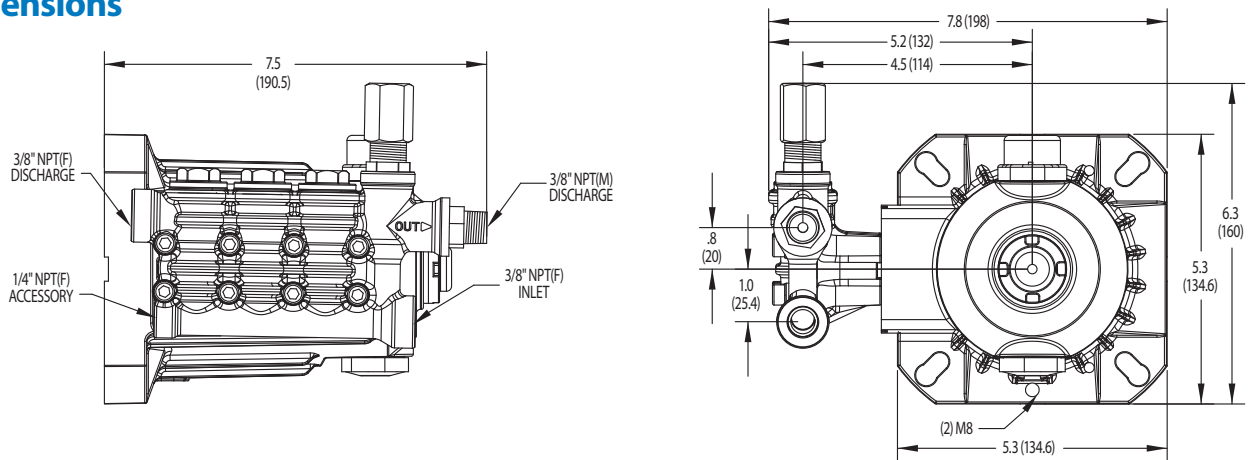
- Misting and fogging for cooling
- Humidification
- Pressure washing

Specifications

	US Measure	Metric Measure
Flow	2.85 gpm	10.8 lpm
Pressure Range	100 to 1,200 psi	6.9 to 83 bar
RPM	1725 rpm	1725 rpm
Shaft Diameter	5/8"	15.9 mm
Inlet Pressure Range	Flooded to 60 psi	Flooded to 4 bar
Max. Liquid Temperature	140° F	60° C
Inlet Port (1)	3/8" NPT(F)	3/8" NPT(F)
Accessory Inlet Port (1)	1/4" NPT(F)	1/4" NPT(F)
Discharge Port (1)	3/8" NPT(F)	3/8" NPT(F)
Discharge Port (1)	3/8" NPT(M)	3/8" NPT(M)
Weight	11.7 lbs	5.3 kg
Dimensions	7.8 x 7.5 x 6.3"	198 x 190.5 x 160 mm

Note: Direct-drive hollow shaft mounts to a standard 56C motor.

Dimensions



Popular Accessories



Pop-Off Valve

PN 30961
1 – 6 gpm
1,000 – 3,000 psi



Pressure Gauge

PN 6088
0 – 3,000 psi



Inlet Strainer

PN 7204.4
1/2" NPT(F)
10 gpm



Thermo-Valve

PN 7140
145° F
1/4" NPT(M)



Oil

PN 6107
21 oz. Bottle
Specially formulated for
extended protection

Contact Cat Pumps for pricing or more information at info@catpumps.com or 763-780-5440

Application photo courtesy of Modern Mistng Systems.



CAT PUMPS

1681 - 94TH LANE N.E. MINNEAPOLIS, MN 55449-4324
PHONE (763) 780-5440 — FAX (763) 780-2958
e-mail: info@catpumps.com
www.catpumps.com

For International Inquiries go to www.catpumps.com and navigate to the "Contact Us" link.

©2016 Cat Pumps All rights reserved. 99SELO15 Rev A 9/16