

MODEL 5SP SERIES DIRECT DRIVE PUMPS



5SP30ELR
3 GPM – 3,000 PSI

5SP35ELR
3.5 GPM – 2,500 PSI

5SP40ELR
4 GPM – 2,000 PSI



Compact Direct Drive Pumps

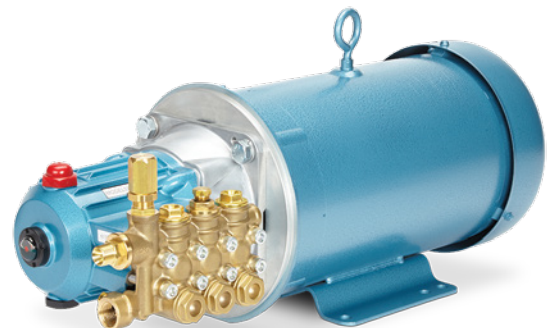
When it comes to getting the job done, customers rely on durable long-lasting products from Cat Pumps and the 5SP is no exception. Designed for continuous duty applications, the 5SP series pumps are built to keep equipment operating with long, dependable service.

Available configurations

5SP	—	E	L	—	—	—
Base Model	30 = 3 gpm	182/184TC Mount	1750 rpm Maximum	R = Regulator	I = Injector	F = Garden Hose Fitting
	35 = 3.5 gpm			U = Unloader		
	40 = 4 gpm					

Features:

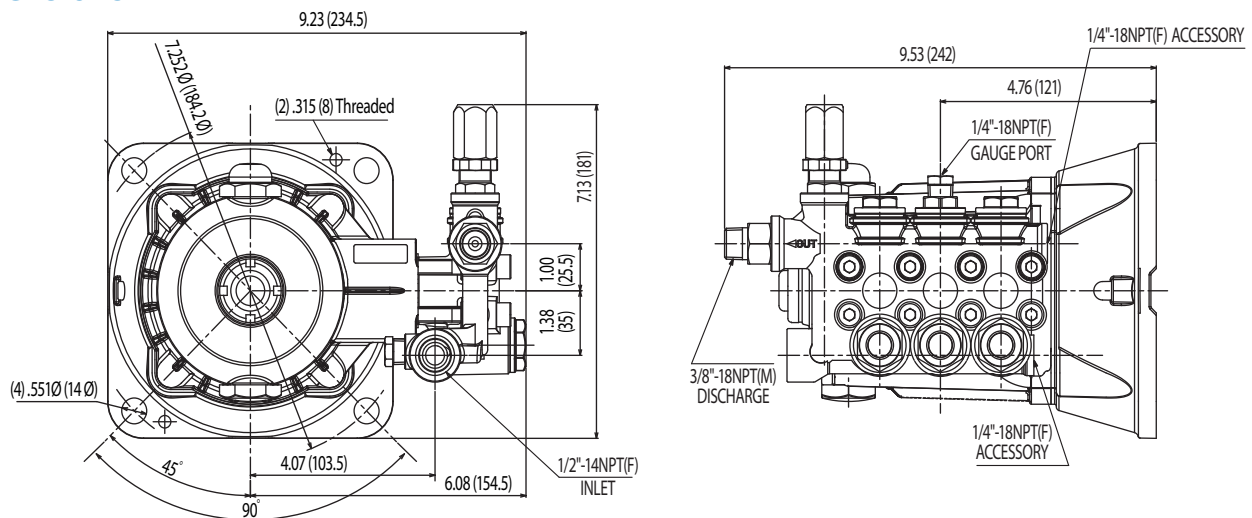
- Ease of assembly reduces time and labor costs.
- Compact direct mounting reduces space requirement.
- Integral pressure control valve with built in by-pass.
- Inlet accessories port for easy thermal valve mounting.
- Available as pump only or as pump and motor assembly.



Specifications

	5SP30ELR	5SP35ELR	5SP40ELR
Flow	3 gpm	3.5 gpm	4 gpm
Pressure	3000 psi	2500 psi	2000 psi
RPM	1750 rpm	1750 rpm	1750 rpm
Inlet Pressure Range	Flooded – 60 psi	Flooded – 60 psi	Flooded – 60 psi
Max Liquid Temperature	140°F	140°F	140°F
Inlet Ports	1/2" NPT(F)	1/2" NPT(F)	1/2" NPT(F)
Discharge Ports	3/8" NPT(M)	3/8" NPT(M)	3/8" NPT(M)
Accessory Ports (3)	1/4" NPT(F)	1/4" NPT(F)	1/4" NPT(F)
Weight	15.5 lbs	15.5 lbs	15.5 lbs
Dimensions	9.23 x 9.53 x 7.13"	9.23 x 9.53 x 7.13"	9.23 x 9.53 x 7.13"

Dimensions



Popular Accessories



Pop-Off Valve

PN 33962
Up to 6 GPM
Up to 4,000 PSI



Thermal Valve

PN 7143
1/4" NPT(M)
165° F



Pressure Gauge

PN 6089
0 – 6,000 PSI



Inlet Strainer

PN 7104.4
1/2" NPT(F)
10 GPM Max



Oil

PN 6107
21 oz. Bottle
Specially Formulated for
Extended Protection

Contact Cat Pumps for pricing or more information at info@catpumps.com or 763-780-5440



CAT PUMPS

1681 - 94TH LANE N.E. MINNEAPOLIS, MN 55449-4324
PHONE (763) 780-5440 — FAX (763) 780-2958
e-mail: info@catpumps.com
www.catpumps.com