

DC POWERED PRESSURE WASH SYSTEMS



Designed to Take High-Pressure Power Wherever You Go

Cat Pumps puts together field-proven direct drive high-pressure pumps with industrial grade DC electric motors for pressure wash power on-the-go. With this setup, the pump/motor assembly can operate on any standard direct current source. (See inside for specifications.)

Designed to the highest quality standards, these industrial grade pump/motor assemblies provide from 1 gpm to 2.9 gpm at pressures from 400 psi to 1,000 psi. This unit makes fast work of a variety of applications including portable restroom cleaning, air-condition fan cleaning, equipment and surface washdown. Available options make complete system build-out easy to do.

Features

- Choice of 4DX or 4SP direct drive pumps with built-in unloader reduces power consumption when pump is not in use.
- Industrial grade direct current (DC) motor operating at 1800 rpm provides reliable power.
- Pump is supplied with crankcase oil so the unit is ready to use right out-of-the-box.
- Pump and unloader valve field-repairable; no special tools required.
- Options available to build a complete pressure wash system.

Typical Applications

- Portable restroom washdown
- Air-conditioning fan and enclosure wash
- Truck and equipment cleaning
- Surface cleaning
- Other uses requiring high-pressure water

Selection Chart – Pump Only

4DX and 4SP Series

1/3 HP, 12 VDC Motor (27 amps) – 1750 RPM

Pump	GPM	PSI	Nozzle
4DX15EU	0.75	500	2
4DX20EU	1	400	3
4DX27EU	1.35	300	4.5

1/2 HP, 12 VDC Motor (39 amps) – 1750 RPM

Pump	GPM	PSI	Nozzle
4DX20EU	1	600	2.5
4DX27EU	1.35	450	3.5
4DX30EU	1.5	400	4.5
4SP21ELU	2.1	300	7

3/4 HP, 12 VDC Motor (58 amps) – 1750 RPM

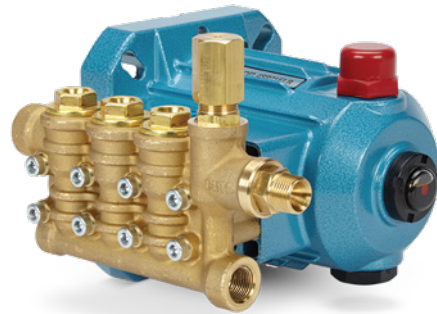
Pump	GPM	PSI	Nozzle
4DX20EU	1	900	2
4DX27EU	1.35	700	3
4DX30EU	1.5	600	3.5
4SP21ELU	2.1	450	6

1 HP, 12 VDC Motor (80 amp) – 1750 RPM

Pump	GPM	PSI	Nozzle
4DX20EU	1	1000	2
4DX27EU	1.35	900	2.5
4DX30EU	1.5	850	3
4SP21ELU	2.1	600	5
4SP29ELU	2.9	400	9



Model 4DX Pump



Model 4SP Pump

Common Specifications

Pump Inlet Pressure	Flooded to 60 psi
Max. Water Temperature	140° F
Inlet Port – Female	3/8" NPT
Discharge Port – Male	3/8" NPT
Accessory Port – Female	1/4" NPT
Crankcase Capacity (4DX Series)	8.5 oz.
Crankcase Capacity (4SP Series)	10.1 oz.
Weight (4DX Series)	10.7 lbs.
Weight (4SP Series)	11.7 lbs.
Dimensions (4DX Series)	7.2 x 7.7 x 6.5"
Dimensions (4SP Series)	7.5 x 7.7 x 6.3"



Selection Chart – Motorized Unit Assembly

Pump, Pressure Control and Motor (TEFC)

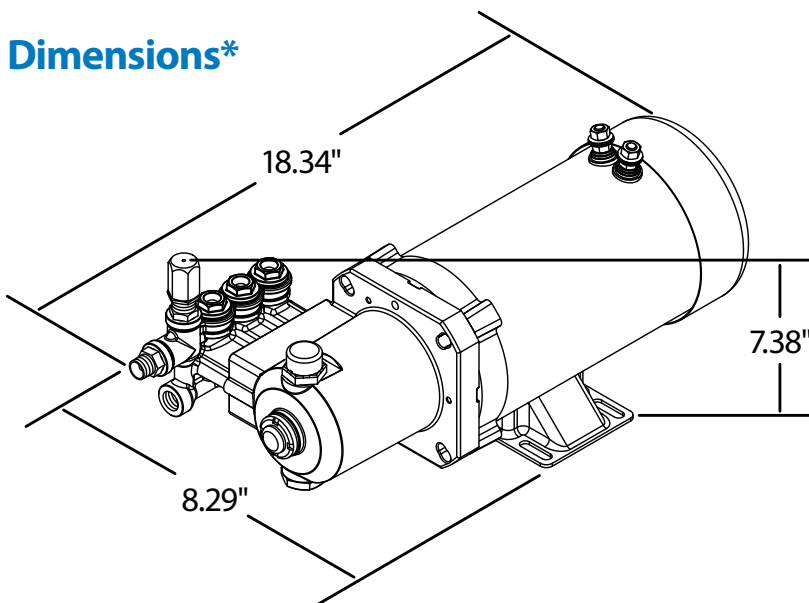
Series	1725 RPM	Mount	Pressure Control	Motor Series	Voltage*	HP
4DX	20 = 1.0 gpm	E = 56C	U = Unloader	DC @ 1800 RPM	1 = 12 V	1 = 1/3
	27 = 1.35 gpm					2 = 1/2
	30 = 1.5 gpm					3 = 3/4
4SP	21 = 2.1 gpm					4 = 1
	29 = 2.9 gpm					

Example: 4DX20EUDC14 = 4DX20EU with Unloader, DC, 1.0 GPM, 1800 RPM, 12 VDC, 1 HP

Example: 4SP21ELUDC12 = 4SP21ELU with Unloader, DC, 2.1 GPM, 1800 RPM, 12 VDC, 1/2 HP

*Contact Cat Pumps for 24 Volt DC Options

Dimensions*

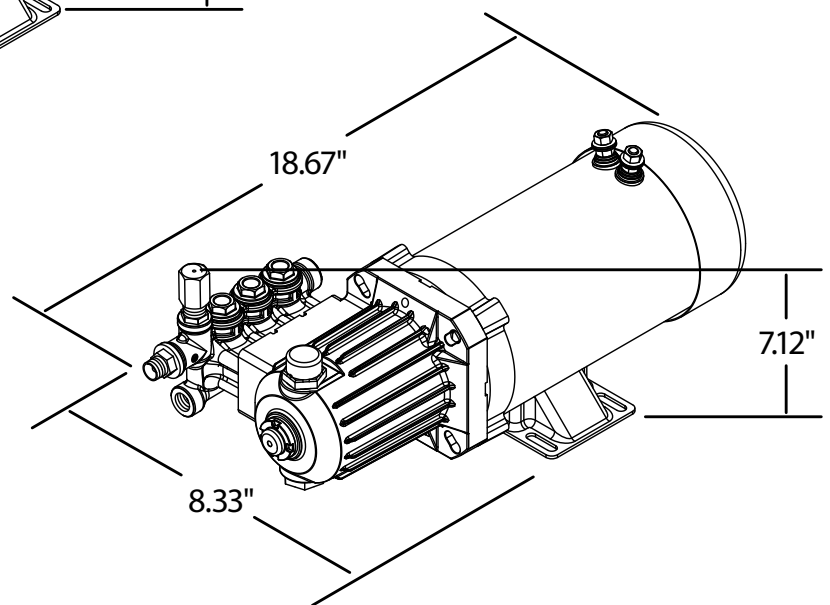


4DX with DC Motor (Total Weight)

1/3 HP	37.7 lbs.
1/2 HP	40.7 lbs.
3/4 HP	43.7 lbs.
1 HP	52.7 lbs.

4SP with DC Motor (Total Weight)

1/3 HP	38.7 lbs.
1/2 HP	41.7 lbs.
3/4 HP	44.7 lbs.
1 HP	53.7 lbs.



*Dimension for a 1 HP DC Motor Only.

Complete Unit

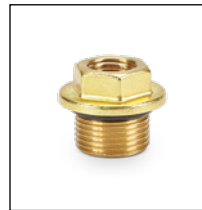
The pump and motor assembly forms the basic component of a complete pressure washing unit. Accessories are available to build a complete system, ranging from inlet filters to shut-off guns. For more information, please visit www.catpumps.com and search for "High Pressure System Design Guide" and "Accessories Catalog." Contact Cat Pumps for assistance.



Optional Accessories

Description	Part Number
Plug, Ported, 1/4" NPT for Gauge	76135
Gauge, Pressure, 1/4" NPT	6086
Filter, Inlet, 1/2" NPTx 1/2"NPT	7204.4
Hose, 1/4", 30', Type B, 3/8" NPT, Swivel end	997041
Gun, Shut-Off	76165
Nipple, Hex, 1/4" NPT	34576
Nozzle, Vari, 1/4" BSP	7920*
Switch, Pressure, 215 psi, 6 amp	31615
Switch, Pressure, 360 psi, 6 amp	31625
Valve, Pop-off 1/4" NPT	30960

* Vari Nozzles sizes available for 7920(2), 7925(2.5), 7930(3), 7935(3.5) and 7990(9)



76135



6086



7204.4



997041



76165



34576



7920



31615



30960

How to Order

For the nearest distributor in your area, please visit www.catpumps.com/distributors/distributor_search.asp and look for "Pressure Washer Distributor" or "Industrial Distributor" under "Market"

Important Notice

Not all components shown are required for all applications or systems. Each component may present a potential problem that could interfere with the operation of your system, such as a clogged filter. Proper system installation, monitoring and maintenance of components are necessary for optimum pump performance and safety. Cat Pumps does not assume any liability or responsibility for the design, operation, or installation of a customer's high-pressure system.



CAT PUMPS

1681 - 94TH LANE N.E. MINNEAPOLIS, MN 55449-4324
 PHONE (763) 780-5440 — FAX (763) 780-2958
 e-mail: info@catpumps.com
www.catpumps.com