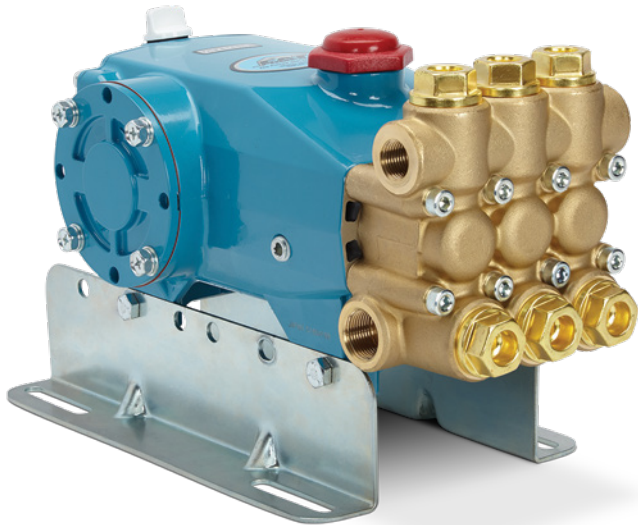


MODEL 7CP6160CS PLUNGER PUMP



10.6 GPM – 2,500 PSI

Designed for the most demanding high-pressure applications

When quality counts, Cat Pumps is the #1 choice for high-pressure applications. Don't fall into the price trap by choosing a less expensive pump upfront that will end up costing more in the long run. Get more work done without the hassles and downtime — choose Cat Pumps.

Cat Pumps engineers have optimized every detail to produce a dependable pump with excellent service life. Concentric, high-density polished solid plungers provide a true wear surface that results in long seal life. The drive-end uses matched connecting rods and oversized bearings to provide many hours of trouble-free service. The 7CP6160CS is what you expect from Cat Pumps — high quality, dependable products backed by the industry's best customer service and support.

Features

- High and low pressure seals are completely lubricated and cooled, greatly increasing pump life
- Flexible Drive options
 - Electric Motor
 - Belt with standard pulley or clutch
 - Direct Drive with bell housing and flex coupler
 - Gas or Diesel Engine
 - Belt with standard pulley or clutch
 - Gearbox for 1" or 1-1/8" engine shafts
 - Hydraulic Motor
 - Direct Drive with bell housing and flex coupler

Typical Applications:

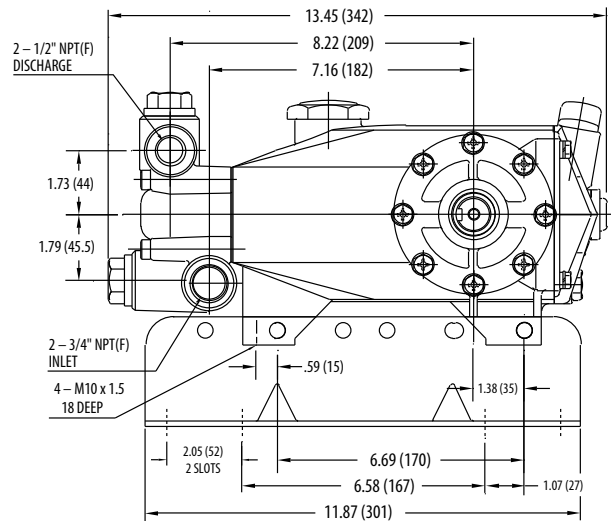
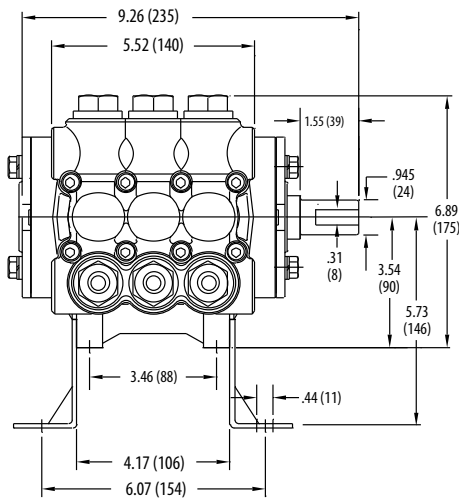
- Water Jetting
- Hydro Excavation
- Wash Down
- Surface Preparation

Specifications

	US Measure	Metric Measure
Flow	10.6 gpm	40.1 lpm
Pressure	2,500 psi	172 bar
Pump RPM*	1750 rpm	1750 rpm
Inlet Pressure Range	Flooded to 70 psi	Flooded to 4.8 bar
Max Liquid Temperature	140°F	60°C
Inlet Ports (2)	3/4" NPT(F)	3/4" NPT(F)
Discharge Ports (2)	1/2" NPT(F)	1/2" NPT(F)
Weight	30.9 lbs	14 kg
Dimensions	13.50 x 9.49 x 6.85"	343 x 241 x 174 mm

*Pump minimum is 100 RPM.

Dimensions



Popular Accessories



Unloader
PN 7537
1 – 21 GPM
230 – 2,600 PSI



Pop-off Valve
PN 9940
0 – 25 GPM
1,000 – 4,000 PSI



Pressure Gauge
PN 6089
0 – 6,000 PSI



Thermal Valve
PN 7142
25 GPM Max
145° F



Oil
PN 6107
21 oz. Bottle
Specially Formulated for
Extended Protection

Contact Cat Pumps for more information at info@catpumps.com or 763-780-5440



CAT PUMPS
1681 - 94TH LANE N.E. MINNEAPOLIS, MN 55449-4324
PHONE (763) 780-5440 — FAX (763) 780-2958
e-mail: info@catpumps.com
www.catpumps.com