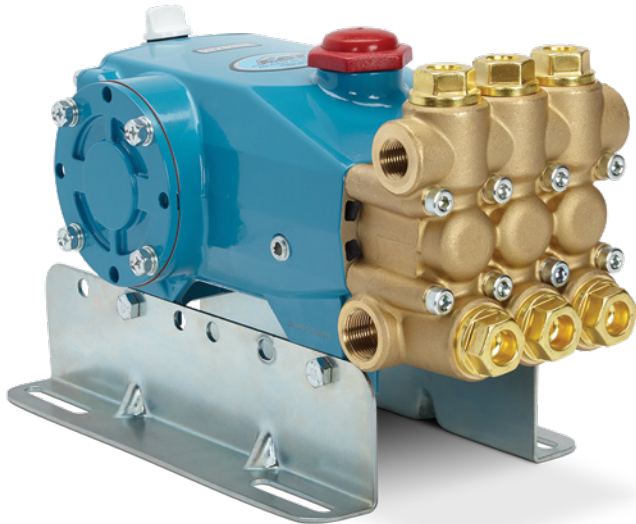


# MODEL 7CP6160CS PLUNGER PUMP



40 LPM – 172 BAR

## Designed for the most demanding high-pressure applications

When quality counts, Cat Pumps is the #1 choice for high-pressure applications. Don't fall into the price trap by choosing a less expensive pump upfront that will end up costing more in the long run. Get more work done without the hassles and downtime — choose Cat Pumps.

Cat Pumps engineers have optimised every detail to produce a dependable pump with excellent service life. Concentric, high-density polished solid plungers provide a true wear surface that results in long seal life. The drive-end uses matched connecting rods and oversized bearings to provide many hours of trouble-free service. The 7CP6160CS is what you expect from Cat Pumps — high quality, dependable products backed by the industry's best customer service and support.

### Features

- High and low pressure seals are completely lubricated and cooled, greatly increasing pump life
- Flexible Drive options
  - Electric Motor
    - Belt with standard pulley or clutch
    - Direct Drive with bell housing and flex coupler
  - Gas or Diesel Engine
    - Belt with standard pulley or clutch
    - Gearbox for 1" or 1-1/8" engine shafts
  - Hydraulic Motor
    - Direct Drive with bell housing and flex coupler

### Typical Applications:

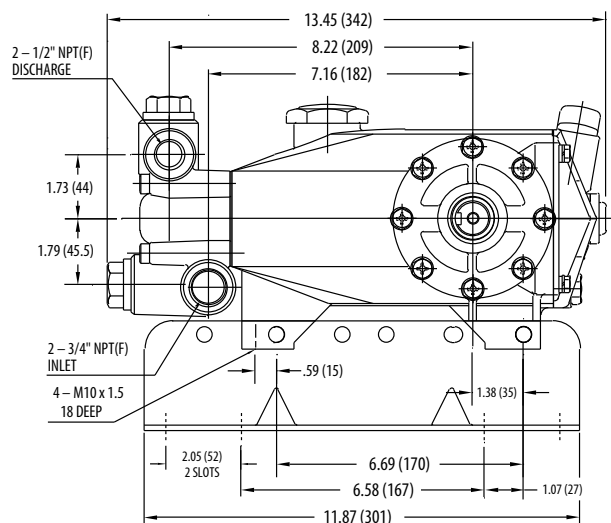
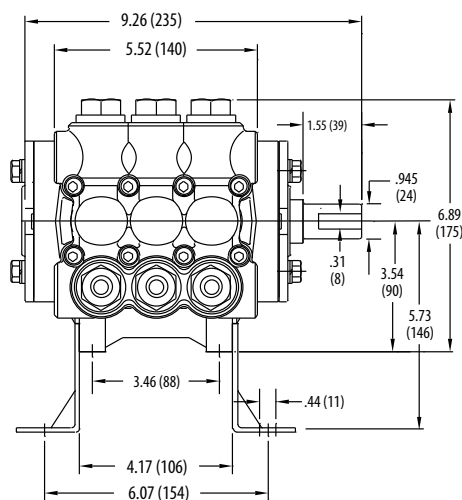
- Water Jetting
- Wash Down
- Hydro Excavation
- Surface Preparation

## Specifications

	Metric Measure	US Measure
<b>Flow</b>	40.1 lpm	10.6 gpm
<b>Pressure</b>	172 bar	2,500 psi
<b>Pump RPM*</b>	1750 rpm	1750 rpm
<b>Inlet Pressure Range</b>	Flooded to 4.8 bar	Flooded to 70 psi
<b>Max Liquid Temperature</b>	60°C	140°F
<b>Inlet Ports (2)</b>	3/4" NPT(F)	3/4" NPT(F)
<b>Discharge Ports (2)</b>	1/2" NPT(F)	1/2" NPT(F)
<b>Weight</b>	14 kg	30.9 lbs
<b>Dimensions</b>	342 x 235 x 175 mm	13.45 x 9.26 x 6.89"

\*Pump minimum is 100 RPM.

## Dimensions



## Popular Accessories



**Unloader**  
PN 7537  
3.8 – 80 lpm  
(1 – 21 gpm)  
16 – 179 bar  
(230 – 2,600 psi)



**Pop-off Valve**  
PN 9940  
0 – 95  
(0 – 25 gpm)  
69 – 275 bar  
(1,000 – 4,000 psi)



**Pressure Gauge**  
PN 6089  
0 – 413 bar  
(0 – 6,000 psi)



**Thermal Valve**  
PN 7142  
95 lpm Max  
(25 gpm Max)  
63° C (145° F)



**Oil**  
PN 6132  
1 litre (33.8 oz.) bottles  
Specially Formulated for  
Extended Protection

Contact Cat Pumps for more information at [sales@catpumps.co.uk](mailto:sales@catpumps.co.uk) or 01252622031



**CAT PUMPS (U.K.) LTD.**  
1 FLEET BUSINESS PARK, SANDY LANE, CHURCH CROOKHAM  
FLEET, HAMPSHIRE GU52 8BF, ENGLAND  
P: +44 1252 622031 • F: +44 1252 626655  
[sales@catpumps.co.uk](mailto:sales@catpumps.co.uk) • [technical@catpumps.co.uk](mailto:technical@catpumps.co.uk) • [www.catpumps.co.uk](http://www.catpumps.co.uk)

©2018 Cat Pumps Inc. All rights reserved. All written and visual data contained in this document are based on the latest product information available at the time of publication. Cat Pumps reserves the right to make changes at any time without notice. All other brand names or marks are used for identification purposes and are trademarks of their respective owners.