



# TECH BULLETIN

**079**  
3/99

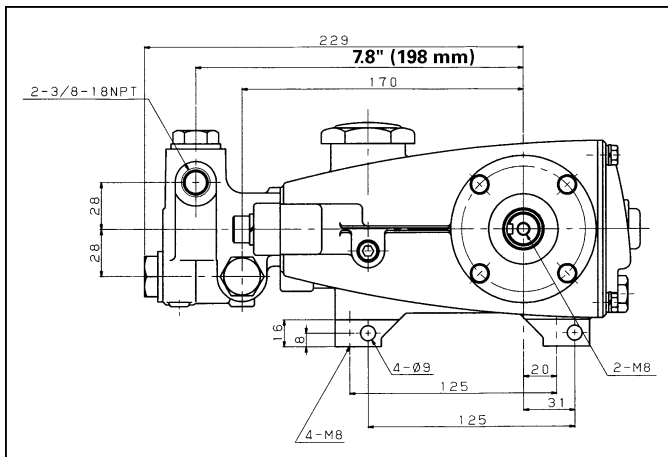
*Published regarding engineering changes and improvements*

## SUBJECT: Manifold Head Change - 5PFR

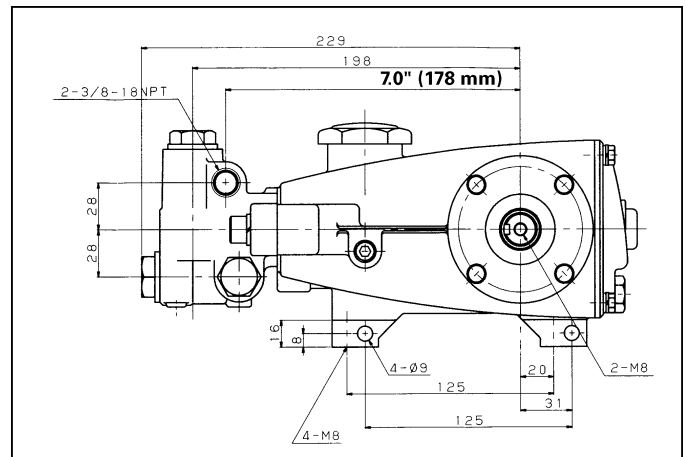
The tooling for the Nickel Aluminium Bronze manifold head has expired. In creating a new tool, the head is slightly modified and results in a relocation of the discharge port on the 317, 347, 357 pumps.

The center distance from discharge port to crankshaft is now 7.0" (178 mm) on all pumps from the March 1999 production forward. The Part Number (44124) for the manifold head will remain the same.

**Prior to 399  
Old Models**



**After 399  
New Models**



**CAT PUMPS**  
Technical Services Department

Rev. 11/99