

# TECH BULLETIN 126



## Rear cover change to all 25 and 28 frame plunger and piston pumps

The rear cover on all 25 and 28 frame plunger and piston pumps has been changed to include a rear oil bubble sight gauge. This change is effective with date codes/serial numbers after September 2018.

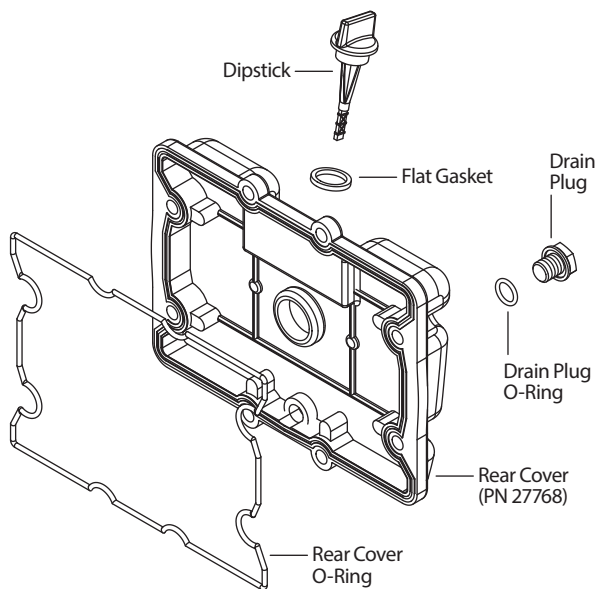
### Improvements:

- The rear cover will now have an oil bubble sight gauge w/gasket located center of the cover just below the dipstick for easy viewing.
- The oil sight bubble gauge is the same as used on all plunger and piston pumps that have the sight gauge in the rear cover.

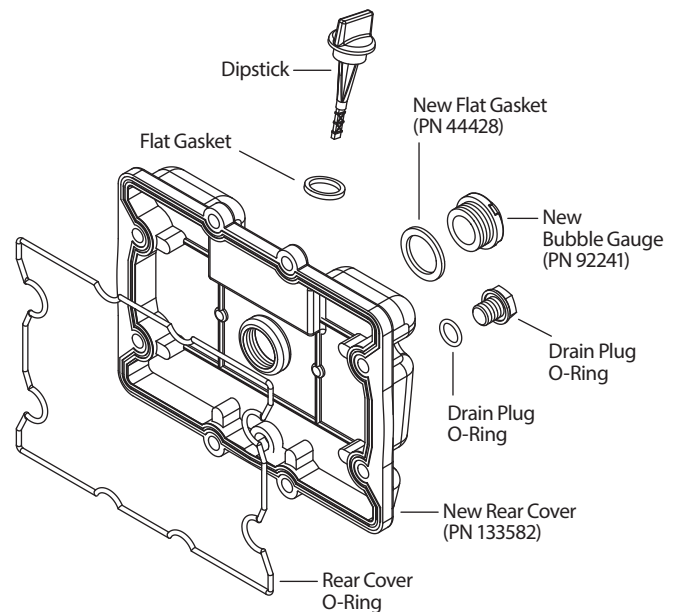
### Functionality Changes:

- Replacement rear covers include the oil bubble gauge w/gasket.
- Dipstick on rear cover has not been eliminated – still used to measure level of oil.

### Old Rear Cover



### New Rear Cover



### Cat Pumps

Technical Services Department

99TCH126 Rev A 18458 1/19