

# TECH BULLETIN 133

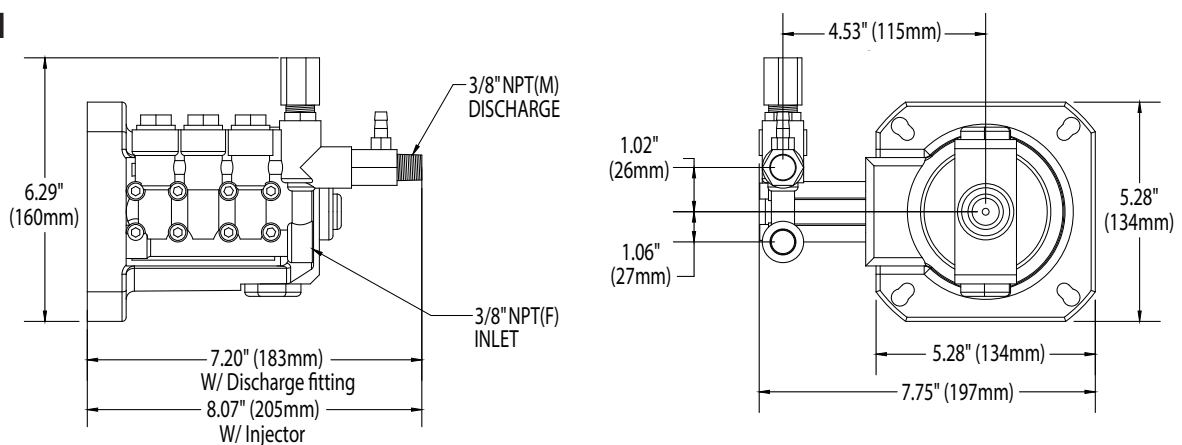


## Model 3DX29GSI vs. 4DX29GUIF

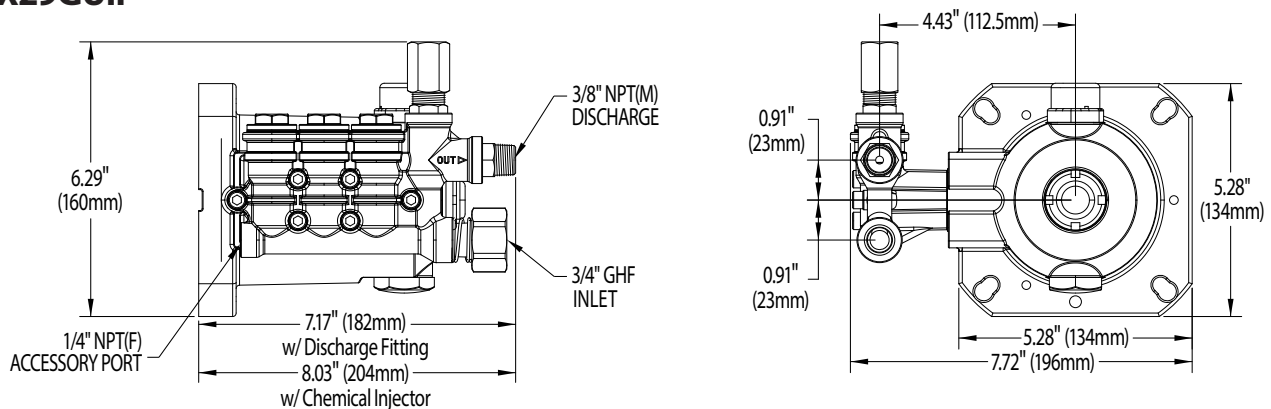
To implement the stronger 4DX Series manifold design. The model 3DX29GSI is being replaced by model 4DX29GUIF. Design changes effective as of May 2019.

The updated manifold design has greater strength, allowing for a 6-bolt design to be used instead of the previous 8-bolt design. In addition to the stronger design, a 1/4" NPT(F) accessory port has been added to the manifold. The pumps engine mounting, flow rate, rpm, and maximum pressure will remain the same. There are minor dimensional changes as illustrated below and part number changes on back page:

### 3DX29GSI



### 4DX29GUIF



Service parts for the 3DX29GSI will continue to be available. For the 4DX29GUIF, an unloader check valve kit and chemical injector repair kit have been set up to allow for easier servicing and ordering of the required components. See below for specific parts differences:

<b>Differences between Models 3DX29GSI and 4DX29GUIF</b>					
<b>Data Sheet</b>	<b>3DX29GSI</b>	<b>4DX29GUIF</b>	<b>Description</b>	<b>Quantity</b>	
	<b>Part No.</b>	<b>Part No.</b>		<b>3DX29GSI</b>	<b>4DX29GUIF</b>
25	547946	49884	Crankshaft (5.9 mm)	1	1
53	548062	49801	Crankcase	1	1
65	542402	132190	Rod, Plunger	3	3
125	547157 (SNG)	† 46240 (NBR)	Seal, HPS w/S	3	3
168	543988	543988	Retainer, Spring	6	3
169	NA	49764	Retainer, Spring	0	3
174	46759	547104	Plug, Valve	3	3
185	† 49523	132192	Head, Manifold	1	1
188	549357	549357	Screw, HSH (M6 x 60)	8	6
300	30530	33053	Kit, Seal	1	1
310	33057	76978	Kit, Valve	1	1
410	549352	549352	Retainer, Spring	1	2
428	13969 (70D)	26133 (80D)	O-Ring, Piston Retainer	1	1
446	13969 (70D)	26133 (80D)	O-Ring, Body	1	1
468	33099	76754	Kit, O-Ring, Unloader	1	1
470	30378	76031	Kit, Repair, Unloader	1	1
471	NA	76146	Kit, Check Valve, Unloader	1	1
483	NA	76176	Kit, Repair, Injector	1	1

† Production parts different from service parts.  
 Material and Abbreviation Codes: HSH=Hex Socket Head Screws  
 HPS w/S=High-Pressure Seal with 304 Stainless steel NBR=Medium Nitril (Buna-N)  
 SNG= Special Blend (Buna)

## Cat Pumps

Technical Services Department

99TCH133 Rev A 19322 5/20