

MODELS 2560 & 2565 PLUNGER PUMPS



2560
60 lpm | 207 bar

2565
76 lpm | 172 bar



Maximise Efficiency with Cat Pumps

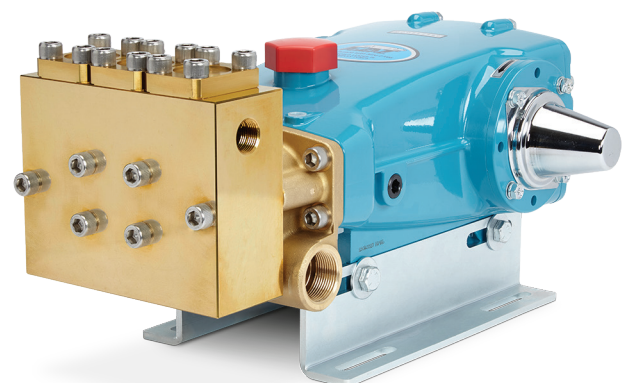
Cat Pumps' products are accepted as an industry standard for high-pressure applications. Our dependable performance keeps equipment running to meet production requirements and tight schedules. Given its durability, the 2560 and 2565 can be used in a variety of mobile and industrial applications, such as hydro excavating, jetting, hydroblasting, central cleaning, equipment washdown, among others.

Features:

- Crankcase crosshead area is concentric with 360° plunger rod support and features drilled-through oil port to lubricate front side of crosshead area, resulting in long, reliable drive-end performance.
- Two-coat electrostatic applied primer + epoxy paint finish provides a more durable finish than anodizing for better appearance and durability in outdoor environments.
- Flexible drive options:
 - Belt drive to engine or motor
 - Direct drive to hydraulic motor

Typical Applications:

- Hydro Excavating
- Water Jetting
- Surface Preparation
- Central Cleaning Systems
- Equipment Washdown
- High-Flow/Pressure Flushing
- Multi-Gun Systems



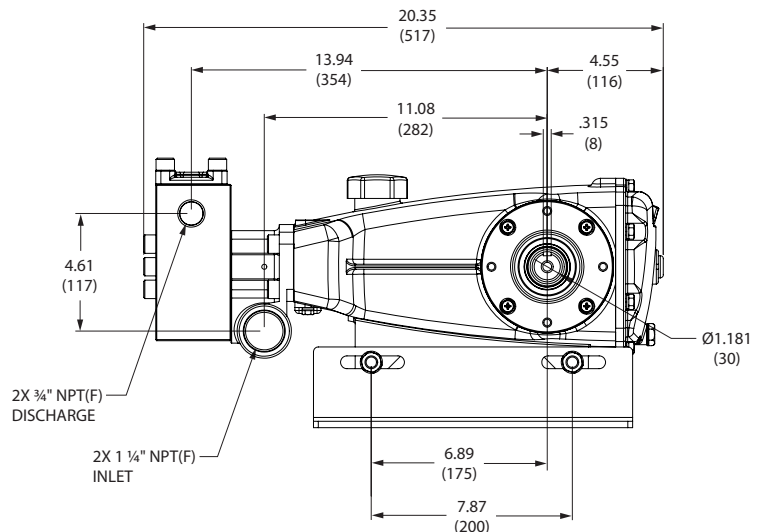
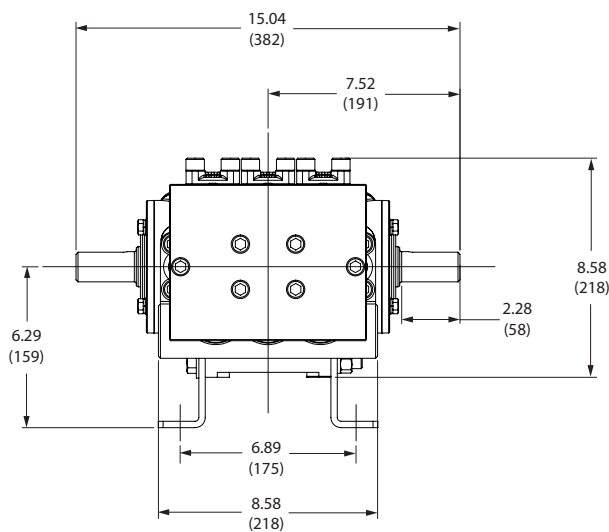
Specifications

	Metric Measure	U.S. Measure
Model 2560	Flow	60.5 lpm 16 gpm
	Pressure	207 bar 3,000 psi
	RPM*	1,510 rpm 1,510 rpm
Model 2565	Flow	75.7 lpm 20 gpm
	Pressure	172 bar 2,500 psi
	RPM*	1,450 rpm 1,450 rpm

*Pump Minimum is 100 RPM

	Metric Measure	U.S. Measure
Inlet Pressure Range	Flooded to 2.1 bar	Flooded to 30 psi
Max Liquid Temp	60°C	140°F
Inlet Ports (2)	1 ¼" NPT(F)	1 ¼" NPT(F)
Discharge Ports (2)	¾" NPT(F)	¾" NPT(F)
Weight	42 kg	95 lbs
Dimensions	517 x 382 x 218 mm	20.35 x 15.04 x 8.58"

Dimensions



Popular Accessories



Pressure Regulator

3.78 – 79.49 lpm
(1 – 21 GPM)
55 – 276 bar
(800 – 4,000 PSI)



Pop-Off Valve

0 – 94.62 lpm
(0 – 25 GPM)
69 – 276 bar
(1,000 – 4,000 PSI)



Pressure Gauge

0 – 414 bar
(0 – 6,000 PSI)



Filter

189 lpm
(50 GPM Max)
1 ¼" NPT(F)



Crankcase Oil

1 Litre Bottle
Specially Formulated for
Extended Protection

Contact Cat Pumps for more information at sales@catpumps.co.uk or +44 (0) 1252 622031.



CAT PUMPS (U.K.) LTD.

1 FLEET BUSINESS PARK, SANDY LANE, CHURCH CROOKHAM
FLEET, HAMPSHIRE GU52 8BF, ENGLAND
P: +44 (0)1252 622031 | F: +44 (0)1252 626655

sales@catpumps.co.uk | technical@catpumps.co.uk | www.catpumps.co.uk

For International inquiries go to www.catpumps.co.uk and navigate to the "Contact Us" link.

©2020 Cat Pumps Inc. All rights reserved. All written and visual data contained in this document are based on the latest product information available at the time of publication. Cat Pumps reserves the right to make changes at any time without notice. All other brand names or marks are used for identification purposes and are trademarks of their respective owners.