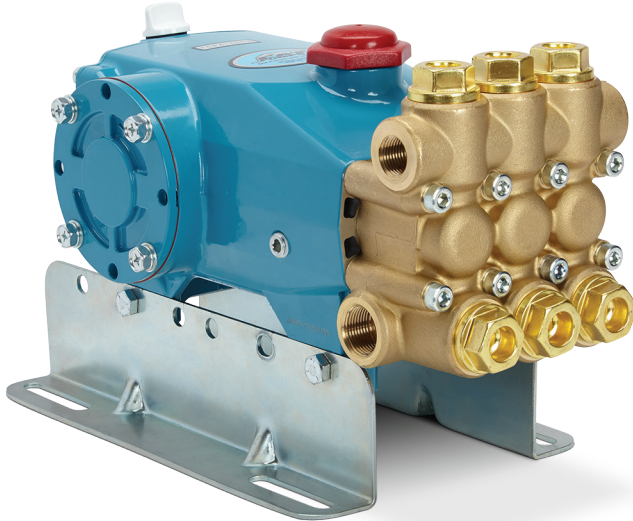


# MODEL 7CP6160CS PLUNGER PUMP



## 40 LPM | 172 BAR

### Designed for the most demanding high-pressure applications

When quality counts, Cat Pumps is the #1 choice for high-pressure applications. Don't fall into the price trap by choosing a less expensive pump upfront that will end up costing more in the long run. Get more work done without the hassles and downtime — choose Cat Pumps.

Cat Pumps engineers have optimised every detail to produce a dependable pump with excellent service life. Concentric, high-density polished solid plungers provide a true wear surface that results in long seal life. The drive-end uses matched connecting rods and oversized bearings to provide many hours of trouble-free service. The 7CP6160CS is what you expect from Cat Pumps — high quality, dependable products backed by the industry's best customer service and support.

#### Features

- High and low pressure seals are completely lubricated and cooled, greatly increasing pump life
- Flexible drive options
  - Electric motor
    - › Belt with standard pulley or clutch
    - › Direct-drive with bell housing and flex coupler
  - Petrol or diesel engine
    - › Belt with standard pulley or clutch
    - › Gearbox for 1" or 1 1/8" engine shafts
  - Hydraulic motor
    - › Direct-drive with bell housing and flex coupler

#### Typical Applications:

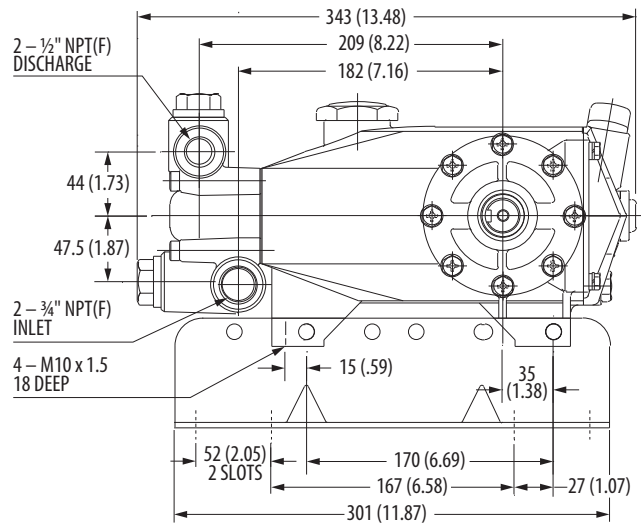
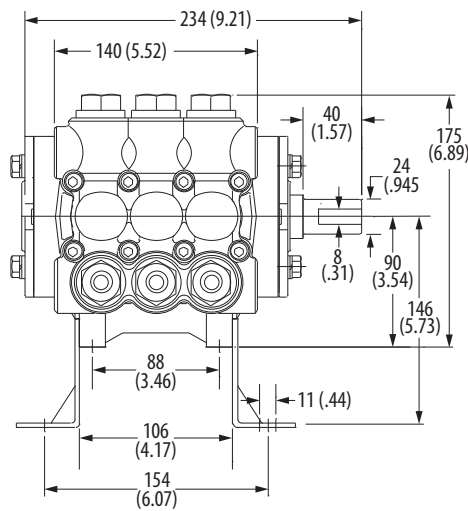
- Water Jetting
- Wash Down
- Hydro Excavation
- Surface Preparation

## Specifications

	METRIC MEASURE	US MEASURE
Flow	40.1 lpm	10.6 gpm
Pressure	172 bar	2500 psi
Pump RPM*	1750 rpm	1750 rpm
Inlet Pressure Range	Flooded to 4.8 bar	Flooded to 70 psi
Max Liquid Temperature	60° C	140° F
Inlet Ports (2)	¾" NPT(F)	¾" NPT(F)
Discharge Ports (2)	½" NPT(F)	½" NPT(F)
Weight	14 kg	30.9 lbs
Dimensions	343 x 234 x 174 mm	13.48 x 9.21 x 6.83"

\*Pump minimum is 100 RPM.

## Dimensions



## Popular Accessories



**Unloader**  
**PN 7537**  
 3.8–80 lpm  
 (1–21 gpm)  
 28–160 bar  
 (406–2320 psi)



**Pop-off Valve**  
**PN 9940**  
 0–95  
 (0–25 gpm)  
 69–275 bar  
 (1000–4000 psi)



**Pressure Gauge**  
**PN 6089**  
 0–413 bar  
 (0–6000 psi)



**Thermal Valve**  
**PN 7142**  
 95 lpm Max  
 (25 gpm Max)  
 63° C  
 (145° F)



**Oil**  
**PN 6132**  
 1 litre (33.8 oz.) Bottles  
 Specially Formulated for  
 Extended Protection

Contact Cat Pumps for more information at [sales@catpumps.co.uk](mailto:sales@catpumps.co.uk) or +44 (0)1252 622031.



**CAT PUMPS (U.K.) LTD.**  
 1 FLEET BUSINESS PARK, SANDY LANE, CHURCH CROOKHAM  
 FLEET, HAMPSHIRE GU52 8BF, ENGLAND  
 P: +44 (0)1252 622031  
[sales@catpumps.co.uk](mailto:sales@catpumps.co.uk) | [www.catpumps.co.uk](http://www.catpumps.co.uk)

For International inquiries go to [www.catpumps.co.uk](http://www.catpumps.co.uk) and navigate to the "Contact Us" link.

©2023 Cat Pumps Inc. All rights reserved. All written and visual data contained in this document are based on the latest product information available at the time of publication. Cat Pumps reserves the right to make changes at any time without notice. All other brand names or marks are used for identification purposes and are trademarks of their respective owners.

PN 995STUK009 Rev B 23189 9/23