

MODEL 5SP30HU DIRECT DRIVE PUMPS



4 GPM | 3,000 PSI

Compact Hydraulic-Driven Pumps

Customers rely on durable, long-lasting products from Cat Pumps, and the 5SP is no exception. Cat Pumps 5SP series pumps are designed for continuous duty applications to keep equipment operating with long, dependable service. The compact hydraulic drive allows for a space-saving footprint and is simple to install and maintain.

Features

- Mounting bracket fits a standard SAE "A" 2-bolt hydraulic motor.
- Compact direct mount for a small footprint.
- Integral unloader with built in bypass.
- Pump and unloader are field repairable, with no special tools required.
- Available as pump only, or as a complete pump and motor assembly.

Typical Applications

- Jetting
- Hydro Excavation
- Wash-Down Systems
- Restroom Service Trucks
- Refuse Trucks

Pump Motor Assemblies

- 5SP30HUDHYD
– with 1.15 in³ Motor
- 5SP30HUDHYD2
– with 0.8 in³ Motor
- 5SP30HUDHYD3
– with 0.69 in³ Motor



5SP30HUDHYD Assembly shown with 1.15 in³ motor

Specifications

	5SP30HU
Flow Range	2–4 gpm
Pressure Range	100–3000 psi
RPM Range	1300–2600 rpm
Inlet Pressure Range	Flooded – 60 psi
Max Liquid Temperature	140° F
Inlet Port	½" NPT(F)
Discharge Port	¾" NPT(M)
Accessory Ports Discharge (2), Inlet (1)	¼" NPT(F)
Weight	15.5 lbs
Hollow Shaft	⅝" (⅝" Keyway)

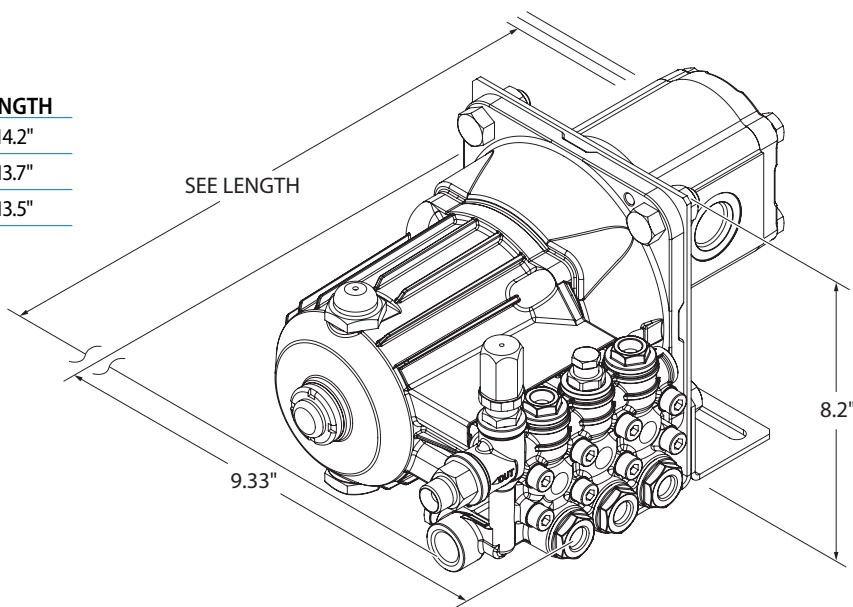
Hydraulic Requirements

PUMP FLOW AND PRESSURE	5SP30HUDHYD With 1.15 in ³ Motor		5SP30HUDHYD2 With 0.8 in ³ Motor		5SP30HUDHYD2 With 0.69 in ³ Motor	
	HYDRAULIC FLOW	HYDRAULIC PRESSURE	HYDRAULIC FLOW	HYDRAULIC PRESSURE	HYDRAULIC FLOW	HYDRAULIC PRESSURE
4 gpm at 3000 psi	15.5 gpm	1200 psi	10.9 gpm	1800 psi	8 gpm	2150 psi
4 gpm at 2000 psi	15.5 gpm	850 psi	10.9 gpm	1200 psi	8 gpm	1450 psi
3 gpm at 3000 psi	11.6 gpm	1200 psi	8.2 gpm	1800 psi	6 gpm	2150 psi
3 gpm at 2000 psi	11.6 gpm	800 psi	8.2 gpm	1200 psi	6 gpm	1450 psi
Hydraulic Motor Inlet/Discharge Ports	SAE-12		SAE-10		SAE-12	
Hydraulic Motor Case Drain Port	SAE-4		SAE-4		SAE-6	

Alternative displacement motors are available upon request to meet your existing hydraulic system capabilities.

Dimensions

MODEL	LENGTH
5SP30HUDHYD	14.2"
5SP30HUDHYD2	13.7"
5SP30HUDHYD3	13.5"



Popular Accessories



Pop-Off Valve

PN 33962
Up to 6 GPM
Up to 4,000 PSI



Thermal Valve

PN 7143
¼" NPT(M)
165° F



Pressure Gauge

PN 6089
0–6,000 PSI



Inlet Strainer

PN 7104.4
½" NPT(F)
10 GPM Max



Mounting Assembly

PN 76SAEA2.5SP
SAE "A" 2-Bolt

Contact Cat Pumps for pricing or more information at info@catpumps.com or (763) 780-5440



CAT PUMPS

1681 – 94TH LANE N.E. MINNEAPOLIS, MN 55449-4324
PHONE (763) 780-5440 | FAX (763) 780-2958
E-MAIL: INFO@CATPUMPS.COM
WWW.CATPUMPS.COM