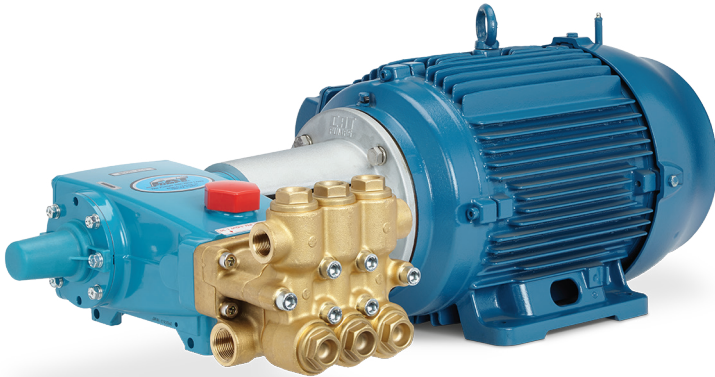


MODEL 1730 PLUNGER PUMP



60 lpm | 103 bar

The New Standard in Direct Drive Pumps

Every once in a while a product is introduced that changes the norm, and the Model 1730 is just that. Introducing the first direct-driven triplex pump capable of a commanding and unequalled 60 lpm.

Cat Pumps engineers have optimised every detail to produce an innovative pump design with excellent service life. With a bell housing the 1730 easily attaches to a "C" face motor, allowing for a space-saving footprint that fits almost anywhere. Bell housings are available for IEC or NEMA Motor applications. And being direct-driven, it's simple to install and maintain since there are no belts, pulleys or baseplates.

Designed for continuous-duty applications, the Model 1730 pump is what industry leaders demand — a dependable, high-quality product backed by world-class customer service, training and support.

Typical Applications

- Car Wash
- Central Cleaning System
- Misting
- Conveyor Belt Wash
- High-Pressure Machine Tool Coolant
- Tank Cleaning
- Equipment Wash-Down

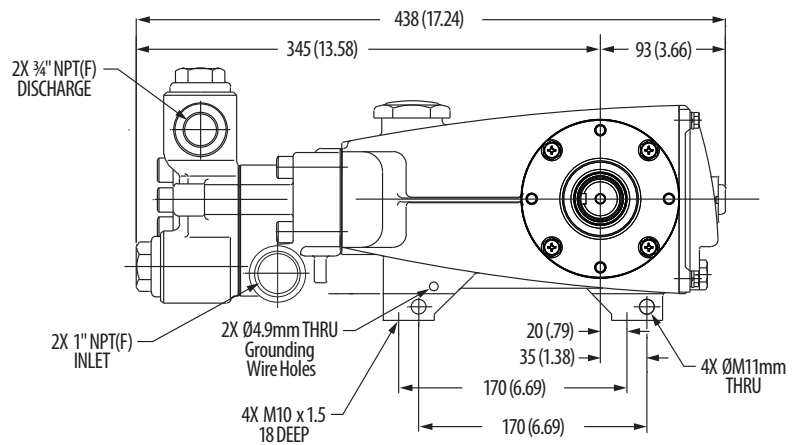
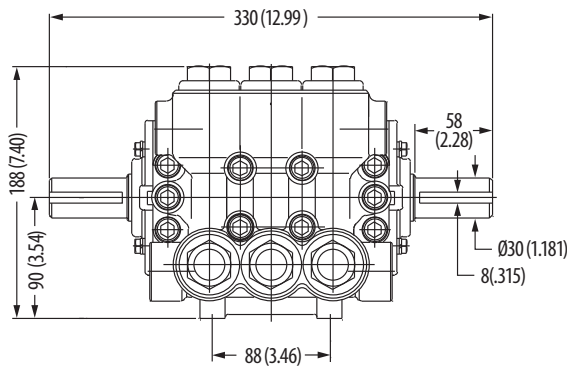
Direct Drive Features

- Ease of assembly reduces time and labour costs
- Compact direct mounting reduces space requirement
- Eliminates belt selection, sizing and adjustment
- Bell housings are cast from lightweight, high-strength aluminium alloy

Specifications

	Metric Measure	U.S. Measure
Flow	60.0 lpm	15.8 gpm
Pressure	103 bar	1500 psi
Inlet Pressure Range	Flooded to 4.8 bar	Flooded to 70 psi
Max Liquid Temperature	60°C	140°F
Inlet Ports (2)	1" NPT(F)	1" NPT(F)
Discharge Ports (2)	¾" NPT(F)	¾" NPT(F)
Weight	24.9 kg	55 lbs
Dimensions	438 x 330 x 188 mm	17.24 x 12.99 x 7.40"

Dimensions



Popular Accessories



Unloader



Pop-off Valve



Pressure Gauge



Pulsation Dampener



Crankcase Oil

Contact Cat Pumps for more information at sales@catpumps.co.uk or +44 (0) 1252 622031.



CAT PUMPS (U.K.) LTD.
 1 FLEET BUSINESS PARK, SANDY LANE, CHURCH CROOKHAM
 FLEET, HAMPSHIRE GU52 8BF, ENGLAND
 P: +44 (0)1252 622031 | F: +44 (0)1252 626655
sales@catpumps.co.uk | technical@catpumps.co.uk | www.catpumps.co.uk

For International inquiries go to www.catpumps.co.uk and navigate to the "Contact Us" link.

©2020 Cat Pumps Inc. All rights reserved. All written and visual data contained in this document are based on the latest product information available at the time of publication. Cat Pumps reserves the right to make changes at any time without notice. All other brand names or marks are used for identification purposes and are trademarks of their respective owners.